



Gotham Architectural Downlighting
LED Downlights

**8" Evo®
Cylinder**

Solid-State Lighting



FEATURES

OPTICAL SYSTEM

- Self-flanged semi-specular, matte-diffuse or specular lower reflector
- Patented Bounding Ray™ optical design (U.S. Patent No. 5,800,050)
- 45° cutoff to source and source image
- Top-down flash characteristic

MECHANICAL SYSTEM

- Heavy-gauge aluminum construction
- Ceiling mount and wall mount for direct installation to 4" octagonal or square junction box
- Pendant mount entry for 3/8" National Pipe Thread stem; wires supplied by others
- Unique mounting mechanism at top of cylinders for easy one-person installation

ELECTRICAL SYSTEM

- Fully serviceable and upgradeable LED light engine
- 70% lumen maintenance at 60,000 hours based on IESNA LM-79-2008
- 120-277VAC, 50/60hz power supply with 0-10V dimming (10-100%); rated for 50,000-hour life
- Overload and short circuit protected
- Dimming wires supplied by others

LISTINGS

- Fixtures are CSA certified to meet US and Canadian standards; wet location, covered ceiling

WARRANTY

- 5-year limited warranty. Complete warranty terms located at: www.acuitybrands.com/CustomerResources/Terms_and_conditions.aspx

ORDERING INFORMATION

EXAMPLE: EVO CYL 35/10 6AR 120 FCM DWHG

Series	Type	Color temperature	Nominal lumen values	Aperture/Trim color	Distribution	Finish	Voltage
EVO	CYL	27/ 2700 K	10 1000 lumens	6AR Clear	(blank) 1.0 s/mh	(blank) Semi-specular	MVOLT 120 277
		30/ 3000 K	14 1400 lumens	6PR Pewter	VND Very narrow (0.5 s/mh)	LD Matte-diffuse	
		35/ 3500 K	18 1800 lumens	6WTR Wheat	ND Narrow (0.6 s/mh)	LS Specular	
		41/ 4100 K	22 2200 lumens	6GR Gold	MD Medium (0.8 s/mh)		
				6WR¹ White	WD Wide (1.2 s/mh)		

Driver	Mounting	Options
(blank) ² 0-10V dimming driver. Minimum dimming level 10%	FCM Ceiling mount	SF⁷ Single fuse
ECOS2^{3,4} Lutron® Hi-lume® 2-wire forward-phase dimming driver. Minimum dimming level 1%	WM Wall mount	Architectural Colors - Powder Paint⁸
ECOS3^{2,3} Lutron® Hi-lume® 3-wire or EcoSystem® dimming driver. Minimum dimming level 1%	PM⁵ Pendant 3/8" thread mount	DWHG Matte white (standard)
	ACC⁶ Aircraft cable and cord mount	DDB Dark bronze
		DBL Black
		DWH Gloss white
		DMB Medium bronze
		DNA Natural aluminum
		DSS Sandstone
		DGC Charcoal grey
		DTC Tennis green
		DBR Bright red
		DSB Steel blue

ACCESSORIES order as separate catalog numbers (shipped separately)

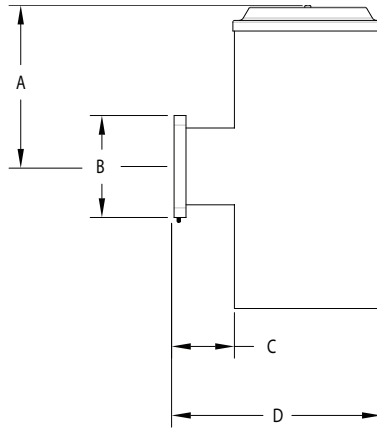
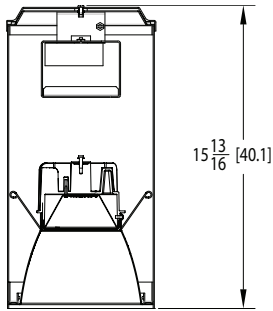
CYS⁹	3/8" stem and canopy with 5° "hang straight" swivel
CRS⁹	3/8" stem and canopy with 45° swivel
SDT 347/120 75VA¹⁰	347V Step-down transformer

NOTES

ORDERING NOTES	
1. Not available with finishes.	7. 120V or 277V only.
2. Refer to TECH-240 for compatible dimmers.	8. Additional architectural colors available; see www.lithonia.com/archcolors .
3. Not available with NEPP option.	9. Color and length of stem must be specified (from 6" to 240" in even increments in maximum sections of 48"). Ex.: CYS06 DWHG. Ceiling attachment for interior use. Consult factory for exterior use. Wire not included.
4. 120V only.	10. Transformer must be field-installed to an accessible remote-mounted junction box.
5. Wires supplied by others.	
6. 10' aircraft cable. White cord with white housings. All others black cord.	

DIMENSIONAL DATA

All dimensions are inches (centimeters) unless otherwise noted.



Reflector aperture: 6-1/4 (15.9)
 Housing diameter: 7-5/8 (19.4)

Wall mount dimensions
 A = 7-3/4 (19.7)
 B = 5-5/16 (13.5)
 C = 3-1/4 (8.3)
 D = 10-7/8 (27.6)

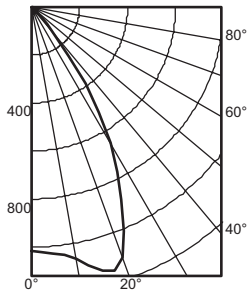
ELECTRICAL

WATTAGE CONSUMPTION MATRIX		
LUMENS	WATTAGE	LUMENS per WATT
2200	32	67
1800	28	66
1400	25	63
1000	18	61

Distribution Curve Distribution Data Output Data Coefficient of Utilization Illuminance: Single Luminaire 30" Above Floor

EVO CYL 35/10 6AR LS

INPUT WATTS: 18.4, DELIVERED LUMENS: 1113.4, LM/W=60.5, 1.1 S/MH, TEST NO. LTL21133

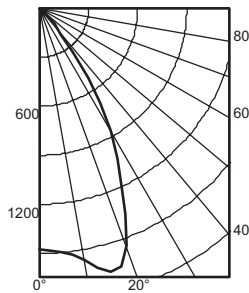


Ave	Lumens	Zone	Lumens	% Lamp	pf	80%			20%			50%		
						pc	50%	30%	10%	50%	30%	10%	50%	30%
0	1017	0° - 30°	822.0	73.8	0	119	119	119	116	116	116	111	111	111
5	1029	0° - 40°	1062.1	95.4	1	111	108	106	109	107	105	105	103	101
15	1139	0° - 60°	1112.7	99.9	2	103	99	96	102	98	95	98	95	93
25	885	0° - 90°	1113.4	100.0	3	97	92	88	95	91	87	93	89	86
35	391	90° - 180°	0.0	0.0	4	90	85	81	89	84	80	87	83	79
45	53	0° - 180°	1113.4	*100.0	5	85	79	75	84	78	74	82	77	74
55	1	*Efficiency			6	79	73	69	79	73	69	77	72	69
65	1				7	75	69	64	74	68	64	73	68	64
75	0				8	70	64	60	70	64	60	69	63	60
85	0				9	66	60	56	66	60	56	65	60	56
90	0				10	63	57	53	62	57	53	61	56	53

Mounting Height	Initial FC Center		50% beam - 56.3°		10% beam - 77.2°	
	Beam	Diameter	FC	Diameter	FC	FC
8.0	33.6	5.9	16.8	8.8	3.4	
10.0	18.1	8.0	9.0	12.0	1.8	
12.0	11.3	10.2	5.6	15.2	1.1	
14.0	7.7	12.3	3.8	18.3	0.8	
16.0	5.6	14.4	2.8	21.5	0.6	

EVO CYL 35/14 6AR LS

INPUT WATTS: 24.6, DELIVERED LUMENS: 1538.8, LM/W=62.6, 1.0 S/MH, TEST NO. LTL21127

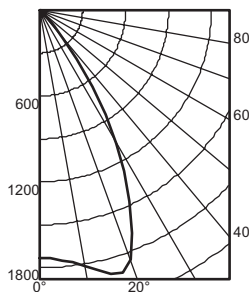


Ave	Lumens	Zone	Lumens	% Lamp	pf	80%			20%			50%		
						pc	50%	30%	10%	50%	30%	10%	50%	30%
0	1476	0° - 30°	1152.8	74.9	0	119	119	119	116	116	116	111	111	111
5	1498	0° - 40°	1470.5	95.6	1	111	109	106	109	107	105	105	103	101
15	1673	0° - 60°	1537.5	99.9	2	104	100	96	102	98	95	99	96	93
25	1192	0° - 90°	1538.8	100.0	3	97	92	88	95	91	87	93	89	86
35	520	90° - 180°	0.0	0.0	4	91	85	81	89	84	81	87	83	80
45	71	0° - 180°	1538.8	*100.0	5	85	79	75	84	79	75	82	78	74
55	2	*Efficiency			6	80	74	70	79	74	70	78	73	69
65	1				7	75	69	65	74	69	65	73	68	65
75	0				8	71	65	61	70	65	61	69	64	61
85	0				9	67	61	57	66	61	57	65	60	57
90	0				10	63	58	54	63	57	54	62	57	54

Mounting Height	Initial FC Center		50% beam - 54.6°		10% beam - 76.2°	
	Beam	Diameter	FC	Diameter	FC	FC
8.0	48.8	5.7	24.4	8.6	4.9	
10.0	26.2	7.7	13.1	11.8	2.6	
12.0	16.4	9.8	8.2	14.9	1.6	
14.0	11.2	11.9	5.6	18.0	1.1	
16.0	8.1	13.9	4.1	21.2	0.8	

EVO CYL 35/18 6AR LS

INPUT WATTS: 28.1, DELIVERED LUMENS: 1858.1, LM/W=66.1, 1.1 S/MH, TEST NO. LTL20947



Ave	Lumens	Zone	Lumens	% Lamp	pf	80%			20%			50%		
						pc	50%	30%	10%	50%	30%	10%	50%	30%
0	1728	0° - 30°	1374.7	74.0	0	119	119	119	116	116	116	111	111	111
5	1754	0° - 40°	1772.2	95.4	1	111	108	106	109	107	105	105	103	101
15	1912	0° - 60°	1856.8	99.9	2	103	99	96	102	98	95	98	96	93
25	1474	0° - 90°	1858.1	100.0	3	97	92	88	95	91	87	93	89	86
35	649	90° - 180°	0.0	0.0	4	90	85	81	89	84	80	87	83	79
45	88	0° - 180°	1858.1	*100.0	5	85	79	75	84	78	74	82	77	74
55	3	*Efficiency			6	79	74	69	79	73	69	77	72	69
65	1				7	75	69	65	74	68	64	73	68	64
75	0				8	70	64	60	70	64	60	69	64	60
85	0				9	66	61	57	66	60	56	65	60	56
90	0				10	63	57	53	62	57	53	62	56	53

Mounting Height	Initial FC Center		50% beam - 55.6°		10% beam - 77.0°	
	Beam	Diameter	FC	Diameter	FC	FC
8.0	57.1	5.8	28.6	8.7	5.7	
10.0	30.7	7.9	15.4	11.9	3.1	
12.0	19.1	10.0	9.6	15.1	1.9	
14.0	13.1	12.1	6.5	18.3	1.3	
16.0	9.5	14.2	4.7	21.5	0.9	

PHOTOMETRY NOTES

- Tested in accordance with IESNA LM-79-08.
- Tested to current IES and NEMA standards under stabilized laboratory conditions.
- Actual performance may differ as a result of end-user environment and application.
- Actual wattage may differ by +/- 10% when operating between 120-277V +/- 10%.
- CRI: 83 typical.
- Consult factory or IES file for microgroove baffle, black cone or other photometric reports.